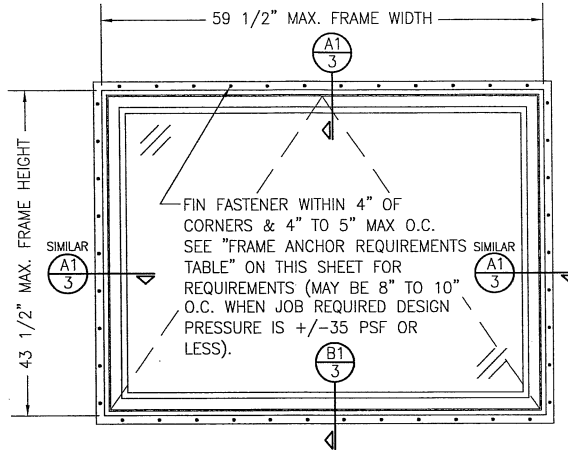


**GENERAL NOTES:**

- ALL FASTENERS SHALL BE IN ACCORDANCE WITH THESE DRAWINGS. SPECIFIED ANCHOR EMBED TO BASE MATERIAL SHALL BE BEYOND WALL FINISH OR STUCCO.
- OPENINGS, BUCKING & BUCKING FASTENERS MUST BE PROPERLY DESIGNED & INSTALLED TO TRANSFER WIND LOADS TO THE STRUCTURE.
- THESE NON-IMPACT RATED PRODUCT INSTALLATIONS ARE IN ACCORDANCE WITH AND MEET THE REQUIREMENTS OF THE FLORIDA BUILDING CODE (FBC).
- ALL ANCHORS SECURING PRODUCT FRAMES TO PRESSURE TREATED BUCKS OR WOOD FRAMING SHALL BE CAPABLE OF RESISTING CORROSION CAUSED BY THE PRESSURE TREATING CHEMICALS IN THE WOOD.
- MATERIALS, INCLUDING BUT NOT LIMITED TO STEEL SCREWS, THAT COME INTO CONTACT WITH OTHER DISSIMILAR MATERIALS SHALL MEET THE REQUIREMENTS OF FLORIDA BUILDING CODE CHAPTER 20.
- TO THE BEST OF OUR KNOWLEDGE, THE PRODUCT SHOWN HEREIN IS CERTIFIED & QUALITY ASSURED BY A FLORIDA STATE APPROVED CERTIFICATION/QA ENTITY & SHALL BE LABELED IN ACCORDANCE WITH THE FBC AND THE FLORIDA DEPARTMENT OF BUSINESS & PROFESSIONAL REGULATION SPECIFICATIONS. PRODUCT ASSEMBLY IS NOT PART OF THIS DRAWING AND SHALL BE IN ACCORDANCE WITH THE MANUFACTURER'S QUALITY ASSURANCE SPECIFICATIONS & TESTING REPORTS.
- CERTIFICATION OF THESE PRODUCT INSTALLATIONS SHALL BE CONSIDERED VOID IF ANY OF THE FOLLOWING APPLY: 1) PRODUCT IS INSTALLED WITHOUT A BUILDING PERMIT FROM THE APPLICABLE LOCAL BUILDING DEPARTMENT. 2) PRODUCT IS INSTALLED BY ANYONE OTHER THAN A LICENSED CONTRACTOR EXPERIENCED WITH INSTALLATIONS OF THIS TYPE OF PRODUCT. 3) IF CHANGES HAVE OCCURRED TO THE PRODUCT'S CERTIFICATION ENTITY'S CERTIFICATE THAT CAUSE THESE INSTALLATIONS TO BE INCORRECT OR INCONSISTENT WITH WHAT HAS BEEN TESTED. 4) THE LEAST DESIGN PRESSURE SPECIFIED EITHER IN THIS DRAWING OR IN THE PRODUCTS CERTIFICATION SHALL CONTROL FOR THE INSTALLED PRODUCT.
- THESE DRAWINGS CERTIFY THE PRODUCT INSTALLATION ONLY. WATER PROOFING OF THE INSTALLED PRODUCT IS NOT PART OF THIS INSTALLATION CERTIFICATION. THAT RESPONSIBILITY SHALL BE THAT OF THE MANUFACTURER &/OR INSTALLER.

INSTALLATION EVALUATION IS BASED ON APPLICABLE ANCHOR STANDARDS AND/OR INFORMATION & RESULTS FROM APPLICABLE TEST REPORTS. THE FLORIDA BUILDING CODE VERSION CONSIDERED WITH THE EVALUATION WAS THAT IN FORCE AT THE TIME OF THE EVALUATION. IN THE EVENT OF CODE VERSION CHANGES/UPDATES OR IN THE EVENT THAT NEW OR ADDITIONAL TESTING IS COMPLETED ON THE REFERENCED PRODUCT, PRIOR TO STATING CODE COMPLIANCE WITH THE STATE, THE MANUFACTURER SHALL CONFIRM WITH THE INSTALLATION EVALUATION ENGINEER OF RECORD THAT THE INSTALLATIONS SPECIFIED HERE-IN ARE CURRENT WITH THE THEN CURRENT TESTING, CODE AND APPLICABLE STANDARDS.



**EXTERIOR ELEVATION:  
SINGLE WINDOW**  
SCALE: 3/4" = 1'-0"  
(NAIL FIN MOUNT CONDITION)

**ALTERNATE ANCHOR/SUBSTRATE EVALUATION NOTE:**  
ALL ALTERNATE ANCHORS IN THEIR SPECIFIED SUBSTRATES HAVE BEEN ANALYZED IN ACCORDANCE WITH THEIR APPLICABLE STANDARD(S) AND ARE FOUND TO BE EQUIVALENT TO OR STRONGER THAN THE ANCHOR(S) USED IN TESTING WITH THIS PRODUCT.

**INSTALLATION NOTE:**  
WHEN NECESSARY, INSTALLATION METHODS MAY BE MIXED WITH ANY ONE WINDOW SUCH THAT INDIVIDUAL SIDES OF THE WINDOW MAY USE ONE OR THE OTHER ANCHOR METHOD (EXAMPLE: ONE SIDE MAY USE FRAME SCREW METHOD WHILE OTHER SIDES USE FIN)

CONDITIONS SHOWN ON THIS DRAWING ARE GOVERNED BY INSTALLATION REQUIREMENTS ONLY. THE GOVERNING CONDITIONS ON ANY SPECIFIC WINDOW SHALL BE THE LESSER OF THOSE SPECIFIED IN THE WINDOWS STATE APPROVAL OR THAT SHOWN IN THESE DRAWINGS.

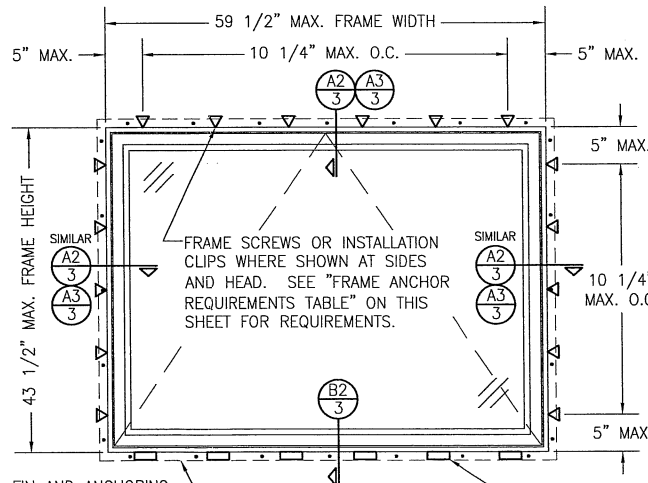
**ALLOWABLE DESIGN PRESSURE  
(SINGLE WINDOWS)**  
+/-50 PSF

PRESSURE SHOWN IN THIS TABLE IS FOR INSTALLATION CONDITIONS ONLY. THE GOVERNING DESIGN PRESSURE ON THE WINDOWS SHALL BE THE LESSER OF THAT SHOWN IN THE INDIVIDUAL WINDOW'S STATE APPROVAL OR THAT SHOWN IN THIS TABLE.

**FRAME ANCHOR REQUIREMENTS TABLE**

OPENING TYPE (SUBSTRATE)	FRAME/CLIP/NAIL FIN TO OPENING FASTENER TYPE	MINIMUM EMBED	MINIMUM EDGE DIST.
(1) FRAME SCREWS			
MIN. 2X4 WOOD FRAME OR BUCK (MIN. GR. 3 & G=0.55)	NO. 10 SMS OR WOOD SCREW	1 1/4"	3/4"
MIN. 18 GA. 33 KSI METAL STUD	NO. 10 GR. 5 SELF TAP/DRILL SCREW	FULL	1/2"
MIN. 1/8" THK A36 STEEL	NO. 10 GR. 5 SELF TAP/DRILL SCREW	FULL	1/2"
MIN. 1/8" THK 6063-T5 ALUM.	NO. 10 GR. 5 SELF TAP/DRILL SCREW	FULL	1/2"
MIN. C-90 CMU OR 2500 PSI CONCRETE	(2) 1/4" CONCRETE SCREW	1 1/4"	2"
(1) INSTALLATION CLIP SCREWS			
MIN. 2X4 WOOD FRAME OR BUCK (MIN. GR. 3 & G=0.55)	NO. 10 SMS SCREW	1 1/4"	1/2"
MIN. 18 GA. 33 KSI METAL STUD	NO. 10 GR. 5 SELF TAP/DRILL SCREW	FULL	1/2"
MIN. 1/8" THK A36 STEEL	NO. 10 GR. 5 SELF TAP/DRILL SCREW	FULL	1/2"
MIN. 1/8" THK 6063-T5 ALUM.	NO. 10 GR. 5 SELF TAP/DRILL SCREW	FULL	1/2"
2500 PSI CONCRETE	(2) 1/4" CONCRETE SCREW	1 1/4"	2"
(3) NAILING FIN FASTENERS			
MIN. 2X4 WOOD FRAME OR BUCK (MIN. GR. 3 & G=0.55)	NO. 8 SMS SCREW	1 3/8"	1/2"
MIN. 2X4 WOOD FRAME OR BUCK (MIN. GR. 3 & G=0.55)	11 GA. ROOFING NAIL	1 3/8"	1/2"
MIN. 1/8" THK A36 STEEL	NO. 8 GR. 5 SELF TAP/DRILL SCREW	FULL	1/2"
MIN. 1/8" THK 6063-T5 ALUM.	NO. 8 GR. 5 SELF TAP/DRILL SCREW	FULL	1/2"

- FRAME AND INSTALLATION CLIP SCREWS SHALL BE A PAN OR HEX HEAD SCREW.
- CONCRETE SCREWS SHALL BE ELCO ULTRACONS (C.S.), ELCO CRETE-FLEX (S.S.), ITW RAMSET/RED HEAD TAPCONS (C.S. OR S.S.) OR HILTI KWIK-CON II (C.S. OR S.S.).
- WHEN SCREWS ARE USED WITH THE NAIL FIN, THEY MUST BE A WAFFLE HEAD SCREW OR HAVE A FLAT WASHER AT THE SCREW HEAD.



**EXTERIOR ELEVATION:  
SINGLE WINDOW**  
SCALE: 3/4" = 1'-0"  
(FRAME SCREW & CLIP MOUNT CONDITION)

NAIL FIN AND ANCHORING OF NAIL FIN IS OPTIONAL & SHALL NOT ACT AS A SUBSTITUTE FOR THE FRAME ANCHORS SPECIFIED. FIN MAY BE REMOVED WHEN REQUIRED BY OPENING CONDITIONS

INSTALLATION CLIPS WHERE SHOWN AT SILL (SAME POSITIONS AS HEAD ANCHORS). SEE "FRAME ANCHOR REQUIREMENTS TABLE" ON THIS SHEET FOR REQUIREMENTS.

THESE DRAWINGS ARE APPLICABLE ONLY TO THE PRODUCT SPECIFIED. THEY MAY NOT BE USED FOR THE ASSEMBLY AND/OR INSTALLATION OF ANY OTHER PRODUCT NOR MAY THEY BE USED FOR RATIONAL AND/OR LOCAL APPROVAL OF ANY PRODUCT NOT PRODUCED BY THE MANUFACTURER STATED ON THESE DRAWINGS.

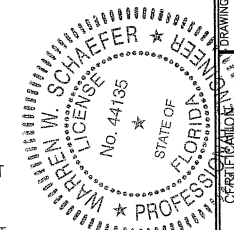
DRAWN BY: W.W.S.	CHECKED BY: W.W.S.
DATE: 09/19/18	DATE: 04/05/18
BY: W.W.S.	
REVISION DESCRIPTION:	
NO.	DATE
1	AT

250 SERIES VINYL NON-IMPACT VENT AWNING WINDOWS

PELLA CORPORATION  
102 MAIN STREET  
PELLA, IA 50219  
641-621-1000

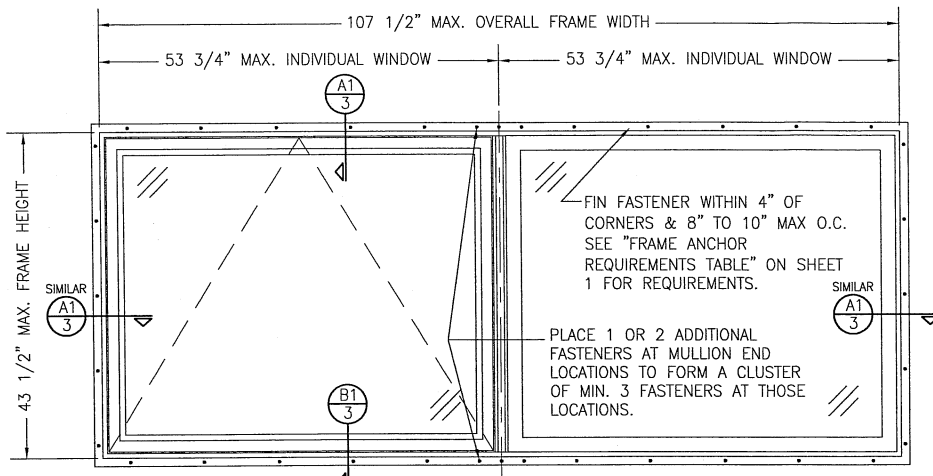


CONSULTANTS  
W. W. SCHAEFER ENGINEERING  
& CONSULTING, P.A. (CA 6809)  
1740 SOUTH GORDON ROAD  
PALM BEACH, FL 33418  
PALM PHONE: 561-744-3424



SEP 27 2018  
WARREN W. SCHAEFER, P.E.  
P.E. NO. 44135

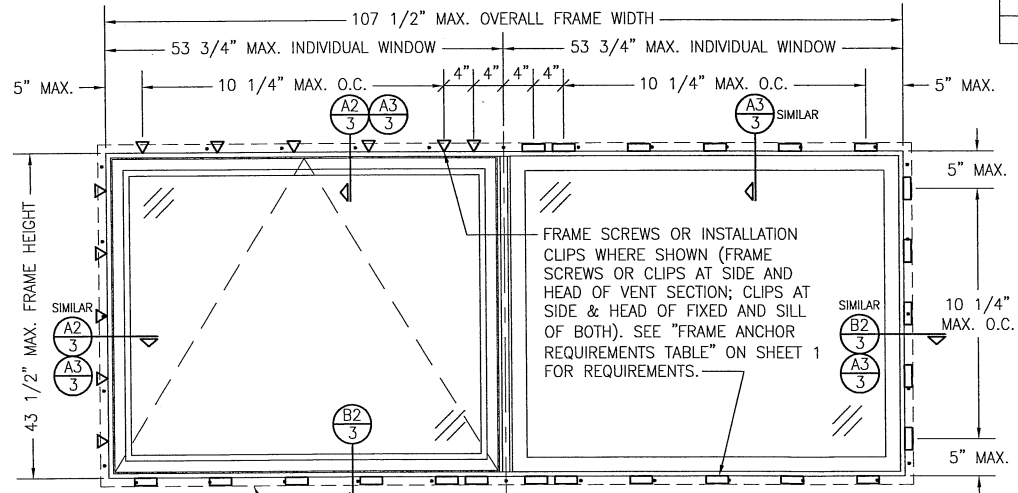
DRAWING NO. 1933	REV. A
SHEET NO. 1	OF 4



**EXTERIOR ELEVATION:**  
**2-WIDE WINDOW**  
 SCALE: 3/4" = 1'-0"  
 (NAIL FIN MOUNT CONDITION)

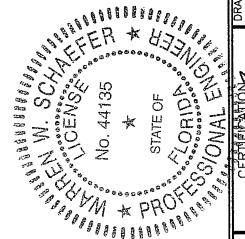
- 2-WIDE UNIT NOTES:**
1. XO CONFIGURATION IS SHOWN, OX & XX ALSO APPLY.
  2. WHEN FRAME WIDTH IS LESS THAN THAT MAXIMUM SHOWN, THE WINDOWS WITHIN ARE NOT REQUIRED TO BE OF EQUAL WIDTH.

**ALLOWABLE DESIGN PRESSURE**  
**(2-WIDE WINDOW UNITS)**  
 +/-35 PSF

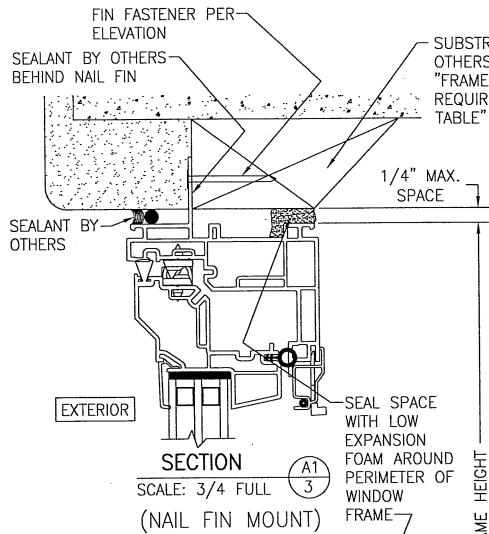


**EXTERIOR ELEVATION:**  
**2-WIDE WINDOW**  
 SCALE: 3/4" = 1'-0"  
 (FRAME SCREW & CLIP MOUNT CONDITION)

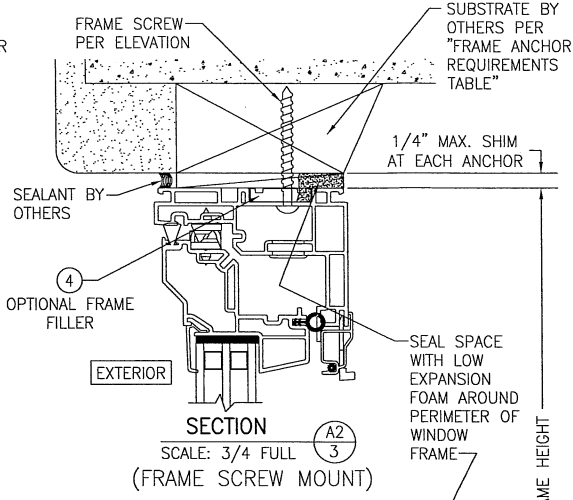
NAIL FIN AND ANCHORING OF NAIL FIN IS OPTIONAL & SHALL NOT ACT AS A SUBSTITUTE FOR THE FRAME ANCHORS SPECIFIED. FIN MAY BE REMOVED WHEN REQUIRED BY OPENING CONDITIONS



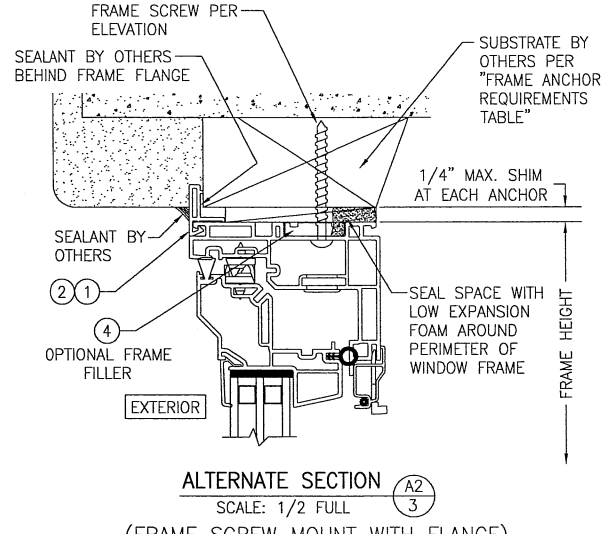
DRAWN BY: W.W.S.		CHECKED BY: W.W.S.	
PLOT: 1=16		DATE: 04/05/18	
NO.	REVISION	DESCRIPTION	DATE
DRAWING TITLE: 250 SERIES VINYL NON-IMPACT VENT AWNING WINDOWS			
CONSULTANTS:		MANUFACTURER:	
W. W. SCHAEFFER ENGINEERING & CONSULTING, P.A. (CA 6809)		PELLA CORPORATION	
7460 150TH COURT NORTH, JOLIET, IL 61781		102 MAIN STREET	
PHONE: 815-744-3424		PELLA, IA 50219	
		641-621-1000	
CERTIFICATION: SEP 27 2018			
WARREN W. SCHAEFFER, P.E.		REV. A	
P.E. NO. 44195		SHEET NO. 2 OF 4	



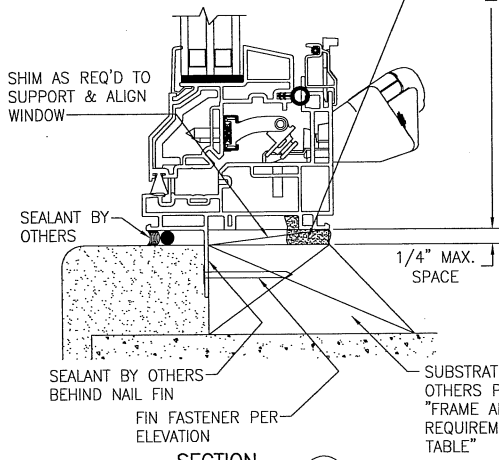
SECTION A1  
SCALE: 3/4 FULL  
(NAIL FIN MOUNT)



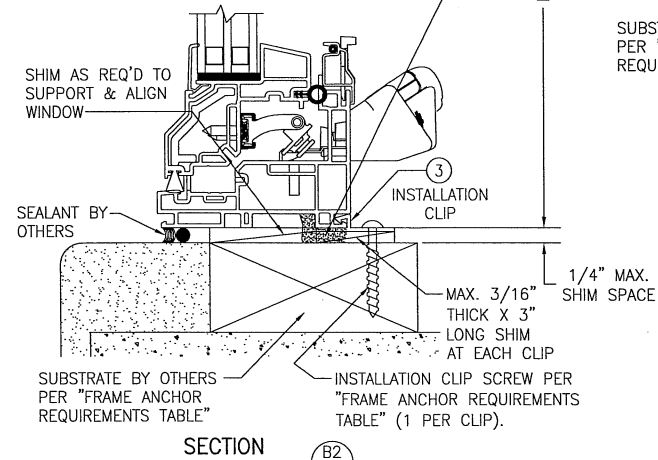
SECTION A2  
SCALE: 3/4 FULL  
(FRAME SCREW MOUNT)



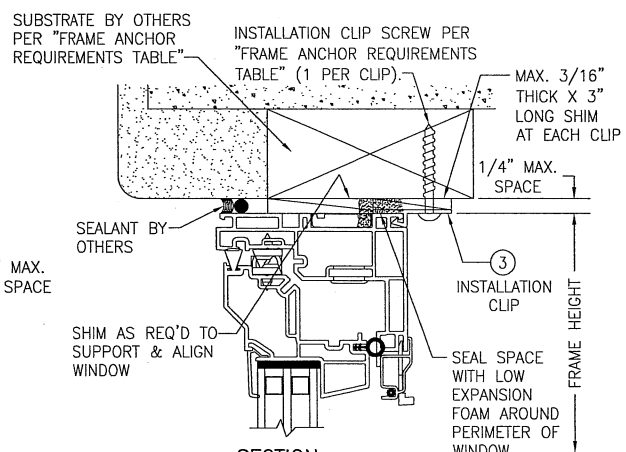
ALTERNATE SECTION A2  
SCALE: 1/2 FULL  
(FRAME SCREW MOUNT WITH FLANGE)



SECTION B1  
SCALE: 3/4 FULL  
(NAIL FIN MOUNT)



SECTION B2  
SCALE: 3/4 FULL  
(CLIP MOUNT)



SECTION A3  
SCALE: 3/4 FULL  
(CLIP MOUNT)

DRAWN BY:	W.W.S.	CHECKED BY:	W.W.S.
DATE:	1-18	DATE:	04/05/18
NO.		REVISION DESCRIPTION	

DRAWING TITLE: 250 SERIES VINYL NON-IMPACT VENT AWNING WINDOWS

MANUFACTURER: PELLA CORPORATION  
102 MAIN STREET  
PELLA, IA 50219  
641-621-1000

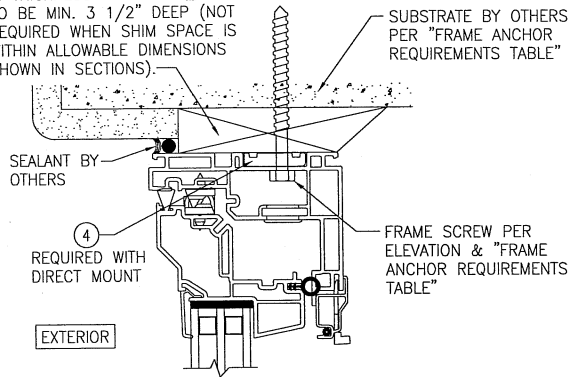
CONSULTANTS: W. W. SCHAEFER ENGINEERING & CONSULTING, P.A. (CA 6809)  
7480 150TH COURT NORTH, 33418  
PALM BEACH GARDENS, FL  
PHONE: 561-744-5424

WARREN W. SCHAEFER, P.E.  
P.E. NO. 44135

STATE OF IOWA  
LICENSED PROFESSIONAL ENGINEER  
NO. 44135  
EXPIRES 12/31/2018

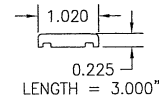
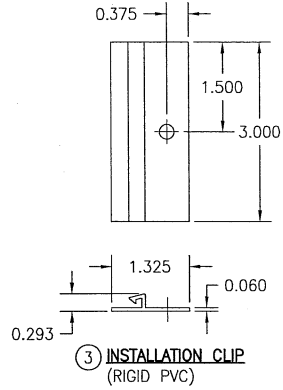
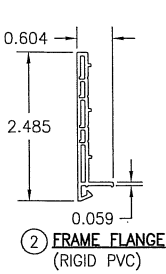
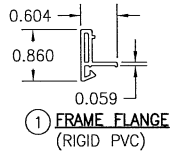
DRAWING NO. 1933  
SHEET NO. 3 OF 4

CONTINUOUS WOOD MEMBER LESS IN THICKNESS THAN A 2X BUCK TO BE MIN. 3 1/2" DEEP (NOT REQUIRED WHEN SHIM SPACE IS WITHIN ALLOWABLE DIMENSIONS SHOWN IN SECTIONS).

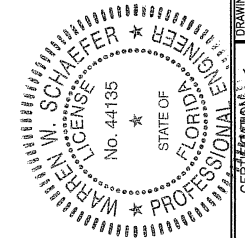


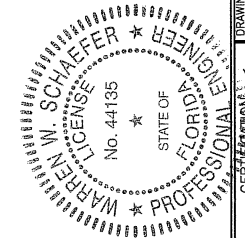

**OPTIONAL DIRECT MOUNT DETAIL TO SUBSTRATE WITH SPACER**

(HEAD SECTION SHOWN; SIDES & SILL ARE INSTALLED THE SAME)  
(FOR DETAIL NOT SHOWN, SEE OTHER SECTIONS)



**4 FRAME FILLER**  
(RIGID PVC AT EACH ANCHOR)  
(RECOMMENDED BUT NOT REQUIRED WITH TYPICAL FRAME SCREW MOUNT. REQUIRED WITH DIRECT MOUNT)



DRAWN BY: W.W.S.		CHECKED BY: W.W.S.	
PLOT: 1=16		DATE: 04/05/18	
NO.	REVISION	DESCRIPTION	DATE
DRAWING TITLE: 250 SERIES VINYL NON-IMPACT VENT AWNING WINDOWS			
CONSULTANTS		MANUFACTURER	
W. W. SCHAEFER ENGINEERING & CONSULTING, P.A. (CA 8809) 7480 150TH COURT NORTH PALM BEACH GARDENS, FL 33418 PHONE: 561-744-5424		PELLA CORPORATION 102 MAIN STREET PELLA, IA 50219 641-621-1000	
			
CERTIFICATION SEP 27 2018 WARREN W. SCHAEFER, P.E. P.E. NO. 44135		DRAWING NO. 1933 SHEET NO. 4 OF 4 REV. A	